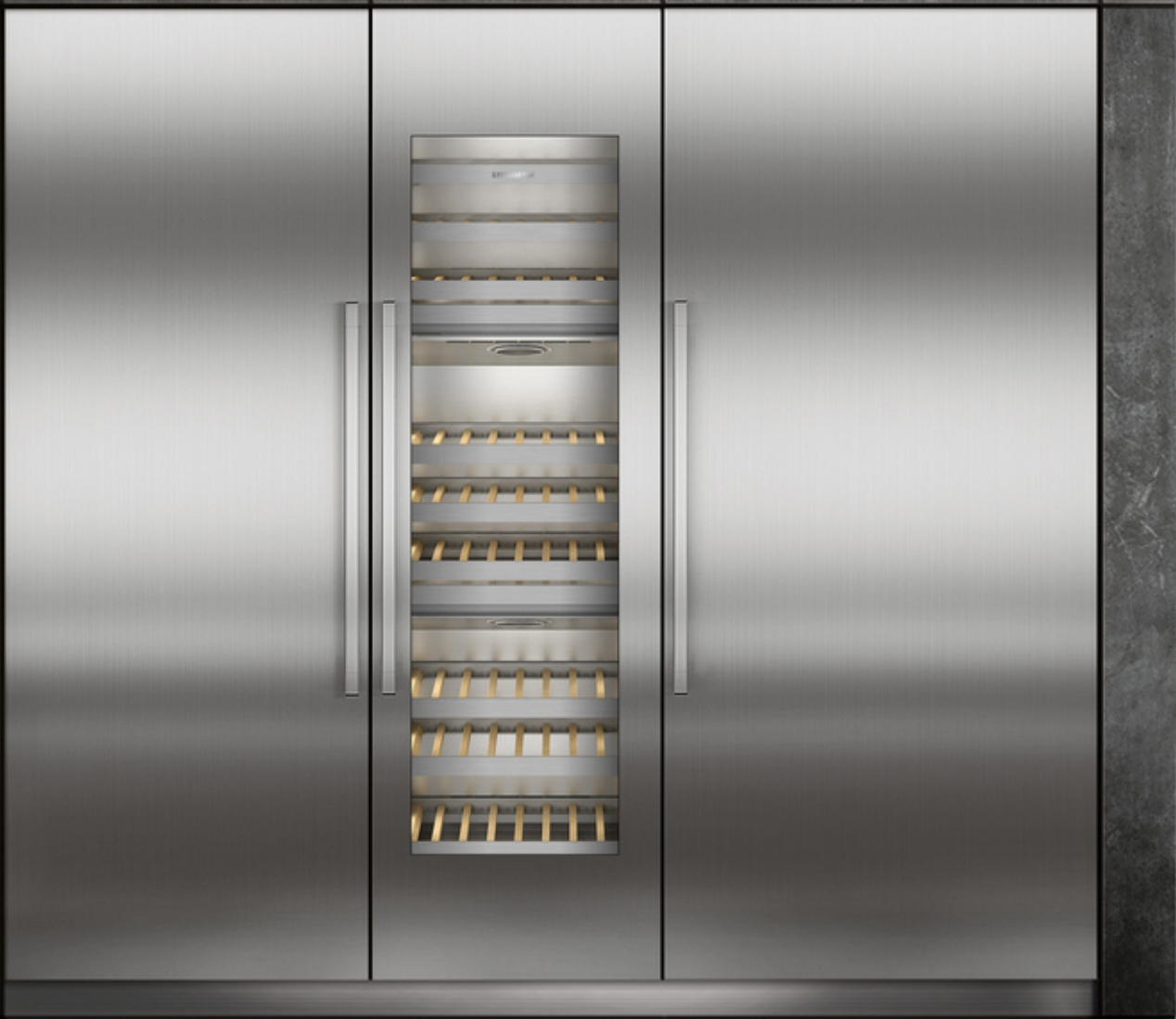

ERBh 9970

Integrated refrigerator with BioFresh

LIEBHERR

Fully Integrated



Fully Integrated

ERBh 9970

Integrated refrigerator with BioFresh

LIEBHERR



↑
213
↓



Type	Fixed door / Built-in appliance for integrated use
Energy consump. in 365 days/24 h	263 kWh
Total volume	543 l ¹
Frequency / voltage	50/60 Hz / 220-240 V~
Connection Rating	1.5 A 248.5 W
Aperture dimensions in cm (h / w / d)	213.4 / 91.4 / min. 63.5
Controls	
Type of Control	3.5" LCD colour display, behind the door, touch- & swipe Digital temperature display for fridge and BioFresh compartments
Interface	SmartDeviceBox: optional accessory (Only available in selected countries)
Alarm in case of malfunction	visual and acoustic
Fridge compartment	
Forced air system	PowerCooling with FreshAir activated charcoal filter
Door interior	GlassLine storage shelves with bottle holder
Bottle shelf	Integrated bottle shelf
Interior light	InfinityLight LED BioFresh lighting
BioFresh-Safes	3 BioFresh Safes with SoftTelescopic, 1 FlexSystem
Features	
Door hinges	Reversible door hinging, right
Replaceable door seal	yes
EAN-Nr.	9005382276679

¹ In accordance with Regulation EU 2019/2016 we indicate the total volume to the nearest integer (rounded off) and the volume of the frozen compartments and refrigeration compartments to one place after the decimal point.

Features



BioFresh-Plus

Liebherr's BioFresh technology guarantees the perfect climate for superior, long-lasting food freshness. In addition to two BioFresh drawers, the third Monolith refrigerator drawer can be set as BioFresh-Plus, lowering temperatures down to - 2 °C (28°F), ideal for storing fresh fish and seafood.



German Engineering

Our superior products offer premium quality, cutting edge design, and innovative features that best fit your lifestyle. The use of high quality materials, perfectly detailed finishes, and elite cooling components are combined with the latest production processes, resulting in an outstanding cooling product.



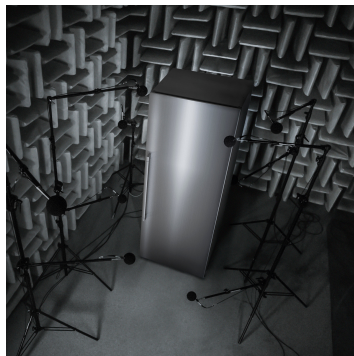
FlexSystem

FlexSystem offers a simple-to-use, flexible organization system for sorting and separating foods stored in your favorite BioFresh drawer. Fruits and vegetables can be kept clearly separated, or foods can be stored according to use-by date.



SmartDevice

Your Liebherr may well be standing in the kitchen – but if you want, it can also be connected to the Internet at any time. The SmartDeviceBox opens the door to all the Smart Home benefits. Simply plug it in, switch it on and connect your Liebherr to the network via WiFi. The Monolith is supplied with a SmartDeviceBox.



SuperQuiet

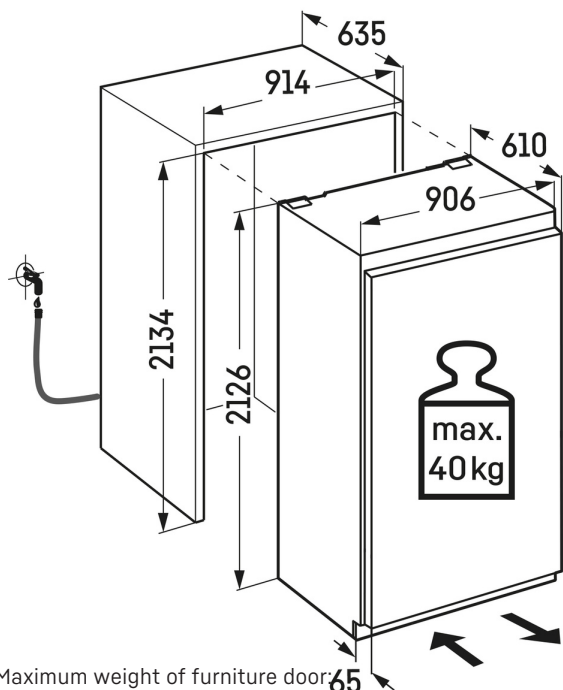
Noise levels are kept to a minimum thanks to virtually silent, speed-controlled, and sound absorbing compressors. Alongside a low noise cooling circuit, these features ensure exact performance, energy efficiency, and SuperQuiet operation.



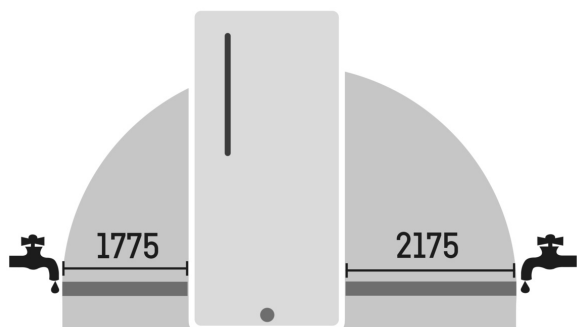
InfinitySpring

The seamlessly integrated, flush-mounted InfinitySpring internal water dispenser is there when you need it, and virtually invisible when you don't, and can accommodate pitchers of any size. Liebherr's filtration system eliminates harmful contaminants, resulting in crisp, clear, fresh tasting water.

Technical drawing



Maximum weight of furniture door: 65
Fridge compartment: 40 kg



Products and their details are staged for advertising purposes. Whilst every effort is made to ensure all specifications and information in this flyer are accurate, Liebherr reserves the right to make changes without notification. Where actual appliance measurements, specifications, and ratings are crucial, we recommend that the actual appliance installation instructions that accompany each appliance be checked. Liebherr will not be liable for any damage. (21.03.2025)

